

BALDOR® • RELIANCE 

Product Information Packet

AEM2333-4

15HP, 1760RPM, 3PH, 60HZ, 284U, 0944M, TEFC, F1

Part Detail							
Revision:	A	Status:	PRD/A	Change #:		Proprietary:	No
Type:	AC	Elec. Spec:	09WGZ997	CD Diagram:	CD0006	Mfg Plant:	
Mech. Spec:	09F947	Layout:	09LYF947	Poles:	04	Created Date:	11-08-2016
Base:	RG	Eff. Date:	03-15-2017	Leads:	3#12		

Specs			
Catalog Number:	AEM2333-4	Inverter Code:	Inverter Ready
Enclosure:	TEFC	KVA Code:	G
Frame:	284U	Lifting Lugs:	Standard Lifting Lugs
Frame Material:	Iron	Locked Bearing Indicator:	Locked Bearing
Output @ Frequency:	15.000 HP @ 60 HZ	Motor Lead Quantity/Wire Size:	3 @ 12 AWG
Synchronous Speed @ Frequency:	1800 RPM @ 60 HZ	Motor Lead Exit:	Ko Box
Voltage @ Frequency:	460.0 V @ 60 HZ	Motor Lead Termination:	Ring Terminals
XP Class and Group:	None	Motor Type:	0944M
XP Division:	Not Applicable	Mounting Arrangement:	F1
Agency Approvals:	UR	Power Factor:	85
	CSA	Product Family:	Automotive (Not For DC)
Auxillary Box:	No Auxillary Box	Pulley End Bearing Type:	Ball
Auxillary Box Lead Termination:	None	Pulley Face Code:	Standard
Base Indicator:	Rigid	Pulley Shaft Indicator:	Standard
Bearing Grease Type:	Polyrex EM (-20F +300F)	Rodent Screen:	None
Blower:	None	Shaft Extension Location:	Pulley End
Current @ Voltage:	17.600 A @ 460.0 V	Shaft Ground Indicator:	No Shaft Grounding
Design Code:	B	Shaft Rotation:	Reversible

Drip Cover:	No Drip Cover	Shaft Slinger Indicator:	Shaft Slinger
Duty Rating:	CONT	Speed Code:	Single Speed
Electrically Isolated Bearing:	Not Electrically Isolated	Motor Standards:	NEMA
Feedback Device:	NO FEEDBACK	Starting Method:	Direct on line
Front Face Code:	Standard	Thermal Device - Bearing:	NONE (OLD)
Front Shaft Indicator:	None	Thermal Device - Winding:	None
Heater Indicator:	No Heater	Vibration Sensor Indicator:	No Vibration Sensor
Insulation Class:	F	Winding Thermal 1:	None
		Winding Thermal 2:	None

Nameplate NP1404E	
CAT.NO.	AEM2333-4
SPEC.	09F947Z997G1
VOLTS	460
AMP	17.6
RPM	1760
	HP 15
FRAME	284U
	HZ 60
	PH 3
SER.F.	1.00
	CODE G
	DES B
	CL F
NEMA-NOM-EFF	92.4
	PF 85
G.MIN.EFF	91
	CC 010A
RATING	65C AMB-CONT
LUBRICATION	POLYREX EM
DE	6311
	ODE 6208
ENCL	TEFC
	SER. #

Parts List		
Part Number	Description	Quantity
SA329837	SA 09F947Z997G1	1.000 EA
RA317787	RA 09F947Z997G1	1.000 EA
HW1002A63	0ASHER, 5/8 HI-COLLAR SPRLCKWASHER	1.000 EA
WD1000B07	T&B C71, RING TERM 10-12 AWG, .25" STUD	3.000 EA
10CB1000A09P	CONDUIT BOX, MACH W/EPOXY PRIMER	1.000 EA
09GS1010	GASKET, DWG, LEADWIRE SEPERATOR	1.000 EA
10XN3118K16	5/16-18 X 1' GRADE #5, STL, ZINC PLATE	4.000 EA
HW1001A31	LOCKWASHER 5/16, ZINC PLT.591 OD, .319 I	4.000 EA
WD1000B16	T&B CX70TN TERMINAL	1.000 EA
10XN2520K06	1/4-20 X 3/8" HX HD SCREWGRADE 5, ZINC P	1.000 EA
HW1001A25	LOCKWASHER 1/4, ZINC PLT .493 OD, .255 I	1.000 EA
09EP1100A14P	ENDPLATE, MACH W/EPOXY PRIMER	1.000 EA
XY3816A12	3/8-16 FINISHED NUT	4.000 EA
HW1001A38	LOCKWASHER 3/8, ZINC PLT .688 OD, .382 I	4.000 EA
HA1005A12	SLINGER, OD 2.50, ID 1.433, 208 BRG	1.000 EA
HW5100A08	W3118-035 WVY WSHR (WB)	1.000 EA
10XN2520K28	1/4-20 X 1.75" HX HD SCRWGRADE 5, ZINC P	2.000 EA
10XN3118K40	5/16-18 X 2.50" HEX HD, GRADE 5	4.000 EA
09EP1116A01P	PU ENDPLATE, MACH	1.000 EA
HW4600B40	V-RING SLINGER 2.000 X 2.680 X .28 VITON	1.000 EA
HA3113A15	THRUBOLT 3/8-16 X 18.875 W/3.50 THD LENG	4.000 EA
09FH4000P	FAN COVER, STAMPED W/EPOXY PRIMER	1.000 EA
HA2081A05	SPACER TUBE, 309 FAN HSG, 2.00 LONG	4.000 EA
XY3816A12	3/8-16 FINISHED NUT	4.000 EA

Parts List (continued)		
Part Number	Description	Quantity
HW1001A38	LOCKWASHER 3/8, ZINC PLT .688 OD, .382 I	4.000 EA
10CB1503A01P	CONDUIT BOX LIPPED LID, MACH W/EPXY PRMR	1.000 EA
14GS1003	GASKET CONDUIT BOX LID, NEOP	1.000 EA
10XN2520K16	1/4-20 X 1" HX HD SCRW GRADE 5, ZINC P	4.000 EA
HW1001A25	LOCKWASHER 1/4, ZINC PLT .493 OD, .255 I	4.000 EA
HW2501G32	KEY, 3/8 SQ X 3.750	1.000 EA
MJ5001A27	32220KN GRAY SEALER *MIN BUY 4 QTS=1GAL	0.031 QT
MJ5002A01	SILICON RUBBER SEALANT, 732CL 10.3 OZ TU	0.050 EA
MJ5004A04	ADHESIVE LOCTITE 609	0.005 EA
MJ5001A14	DYNAPRO SEALANT, CP MTR VC#2508050 (603	0.001 EA
LB1115N	LABEL,LIFTING DEVICE (ON ROLLS)	1.000 EA
WD1000B07	T&B C71, RING TERM 10-12 AWG, .25" STUD	3.000 EA
HW4500A20	1/8NPT SL PIPE PLUG	2.000 EA
HA4054	SHORT T-DRAIN FITTING, .125" N.P.T.	1.000 EA
MJ1000A02	GREASE, POLYREX EM EXXON (USe 4824-15A)	0.080 LB
HW4500A20	1/8NPT SL PIPE PLUG	3.000 EA
09FN3001D01SP	EXTERNAL FAN, PLASTIC	1.000 EA
HW2500A25	WOODRUFF KEY USA #1008 #BLOW CARBON STEE	1.000 EA
51XB1214A20	12-14X1.25 HXWSSLD SERTYB	1.000 EA
MG1025G02	WILKOFASST, 782.02, LIGHT GRAY	0.050 GA
85XU0407S04	4X1/4 U DRIVE PIN STAINLESS	2.000 EA
LB1119N	WARNING LABEL	1.000 EA
LC0006	CONNECTION LABEL	1.000 EA
NP1404E	SS UL CSA CC "AUTOMOTIVE"	1.000 EA

40PA1005	PACKAGING GROUP, 09 STD	1.000 EA
MN416A01	TAG-INSTAL-MAINT no wire (1200/bx) 5/18	1.000 EA

Accessories		
Part Number	Description	Multiplier
09-1310	C FACE KIT	A8

AC Induction Motor Performance Data

Record # 60281 - Typical performance - not guaranteed values

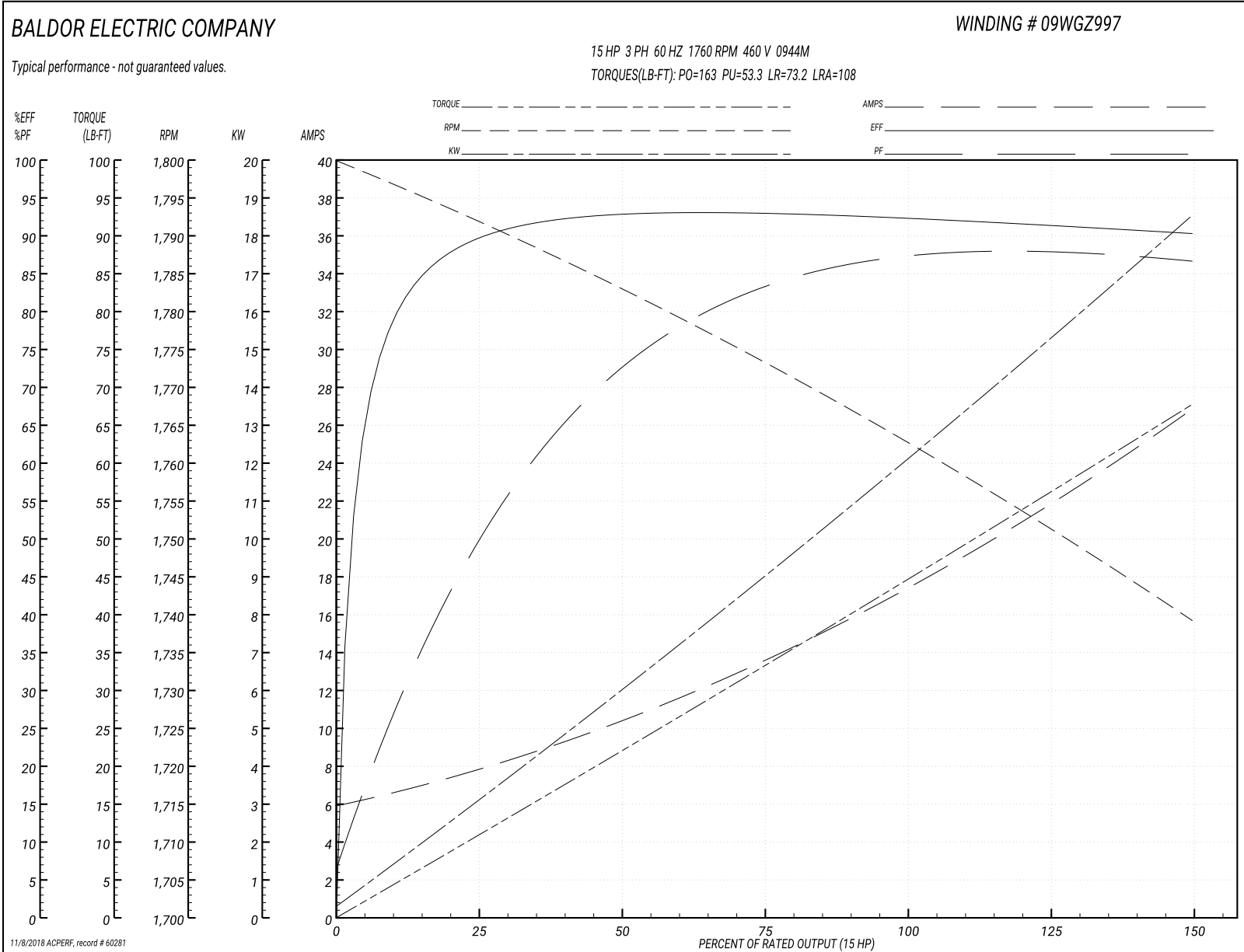
Winding: 09WGZ997-R044	Type: 0944M	Enclosure: TEFC
-------------------------------	--------------------	------------------------

Nameplate Data				460 V, 60 Hz: Single Voltage Motor	
Rated Output (HP)	15			Full Load Torque	44.6 LB-FT
Volts	460			Start Configuration	direct on line
Full Load Amps	17.6			Breakdown Torque	163 LB-FT
R.P.M.	1760			Pull-up Torque	53.3 LB-FT
Hz	60	Phase	3	Locked-rotor Torque	73.2 LB-FT
NEMA Design Code	B	KVA Code	G	Starting Current	108 A
Service Factor (S.F.)	1			No-load Current	6.19 A
NEMA Nom. Eff.	92.4	Power Factor	85	Line-line Res. @ 25°C	0.62 Ω
Rating - Duty	65C AMB-CONT			Temp. Rise @ Rated Load	50°C
				Locked-rotor Power Factor	32.6
				Rotor inertia	1.92 LB-FT ²

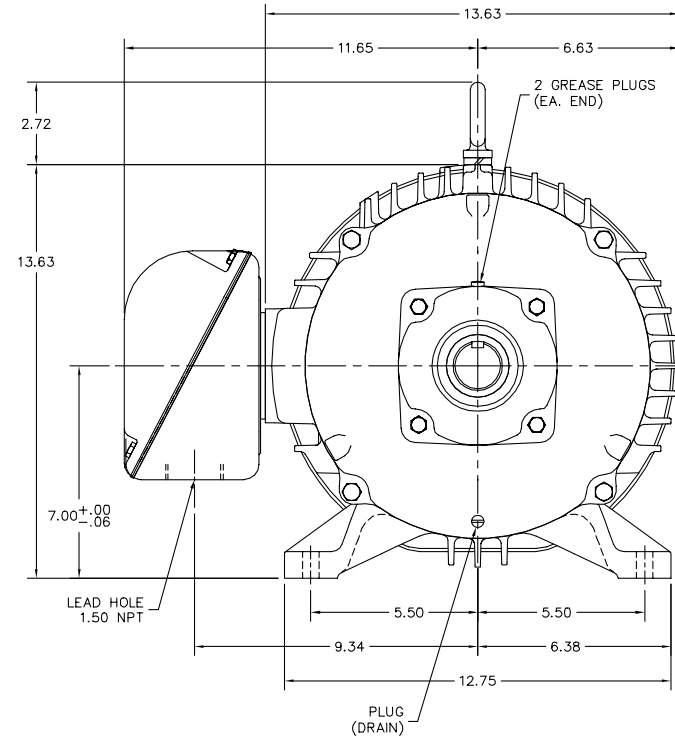
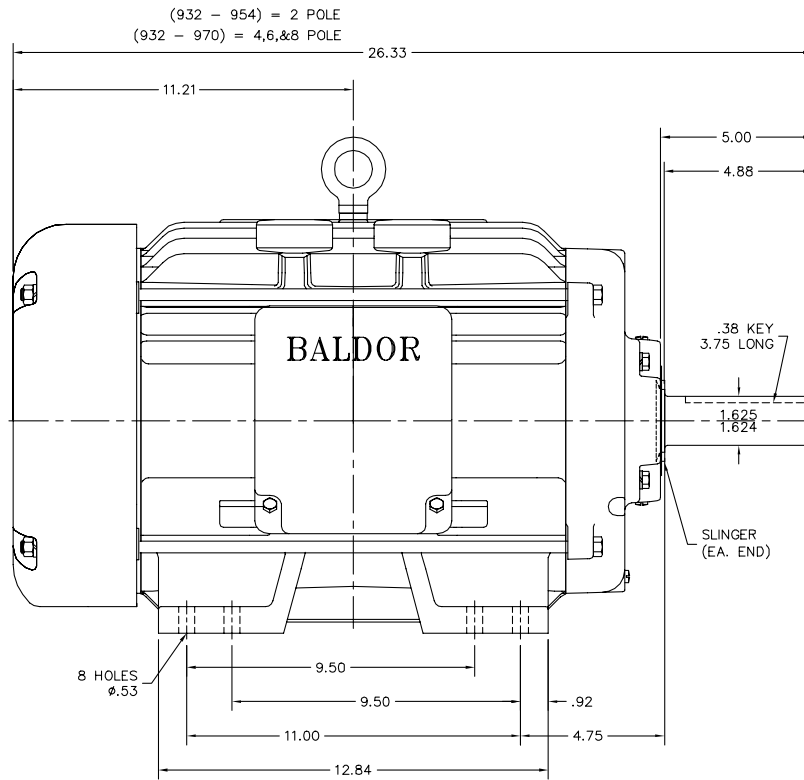
Load Characteristics 460 V, 60 Hz, 15 HP

% of Rated Load	25	50	75	100	125	150
Power Factor	52	73	84	86	87	88
Efficiency	89.4	92.6	93	92.5	91.4	90.3
Speed	1792	1783	1773	1763	1752	1739
Line amperes	7.44	10.3	13.5	17.6	22	26.6

Performance Graph at 460V, 60Hz, 15.0HP Typical performance - Not guaranteed values



09LYF947



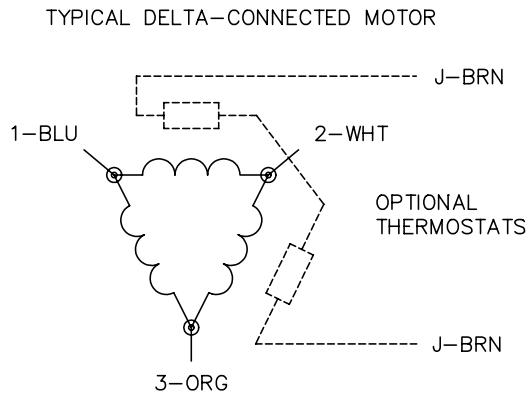
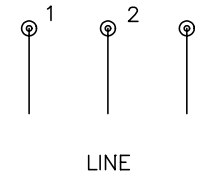
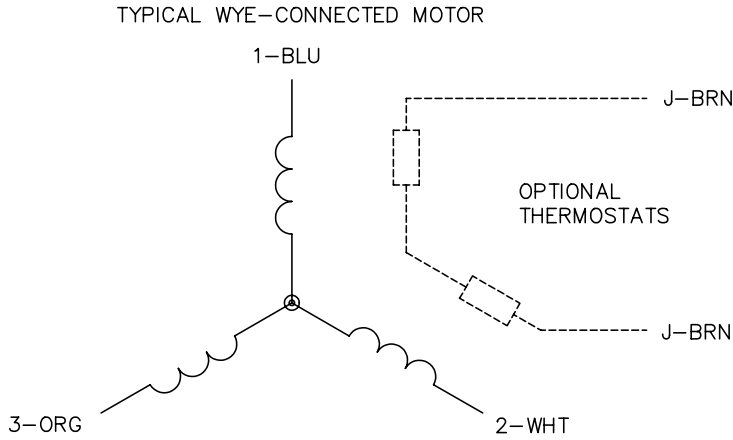
09LYF947

CUSTOMER IS RESPONSIBLE FOR DETERMINING THAT BALDOR'S PRODUCT WILL PERFORM SUITABLY IN THE INTENDED APPLICATION.

REV. DESC: REMOVE LOCKNUT	VERSION: 03	TDR: 000000955506
REV. LTR: D	REVISED: 03:25:15 12/01/2015	BY: ENMARSO
FILE: \AAA\00100\568		
MTL: -		

BALDOR
HORZ TEFC 284-6U (GM SPECS)
SH 1 of 1

CD0006



NOTES:

1. THREE LEAD MOTOR MAY BE EITHER WYE CONNECTED OR DELTA CONNECTED.
2. INTERCHANGE ANY TWO LINE LEADS TO REVERSE ROTATION.
3. OPTIONAL THERMOSTATS ARE PROVIDED WHEN SPECIFIED.
4. ACTUAL NUMBER OF INTERNAL PARALLEL CIRCUITS MAY VARY.
5. LEAD COLORS ARE OPTIONAL. LEADS MUST BE NUMBERED AS SHOWN.

REV. DESC: REVISE TO SHOW OPTIONAL COLORS

REV. LTR: D BY: JLP

REVISED: 01/21/99 4:02

TDR: 0171435

9000D

FILE: AAA00005141

MDL: -

MTL: -

BALDOR ELECTRIC Co.

3PH, SV, 3 LEADS, WYE OR DELTA CONNECTED

CD0006

Marketing maintained PDF of MN416:

<http://www.baldor.com/support/Literature/Load.ashx/MN416?ManNumber=MN416>